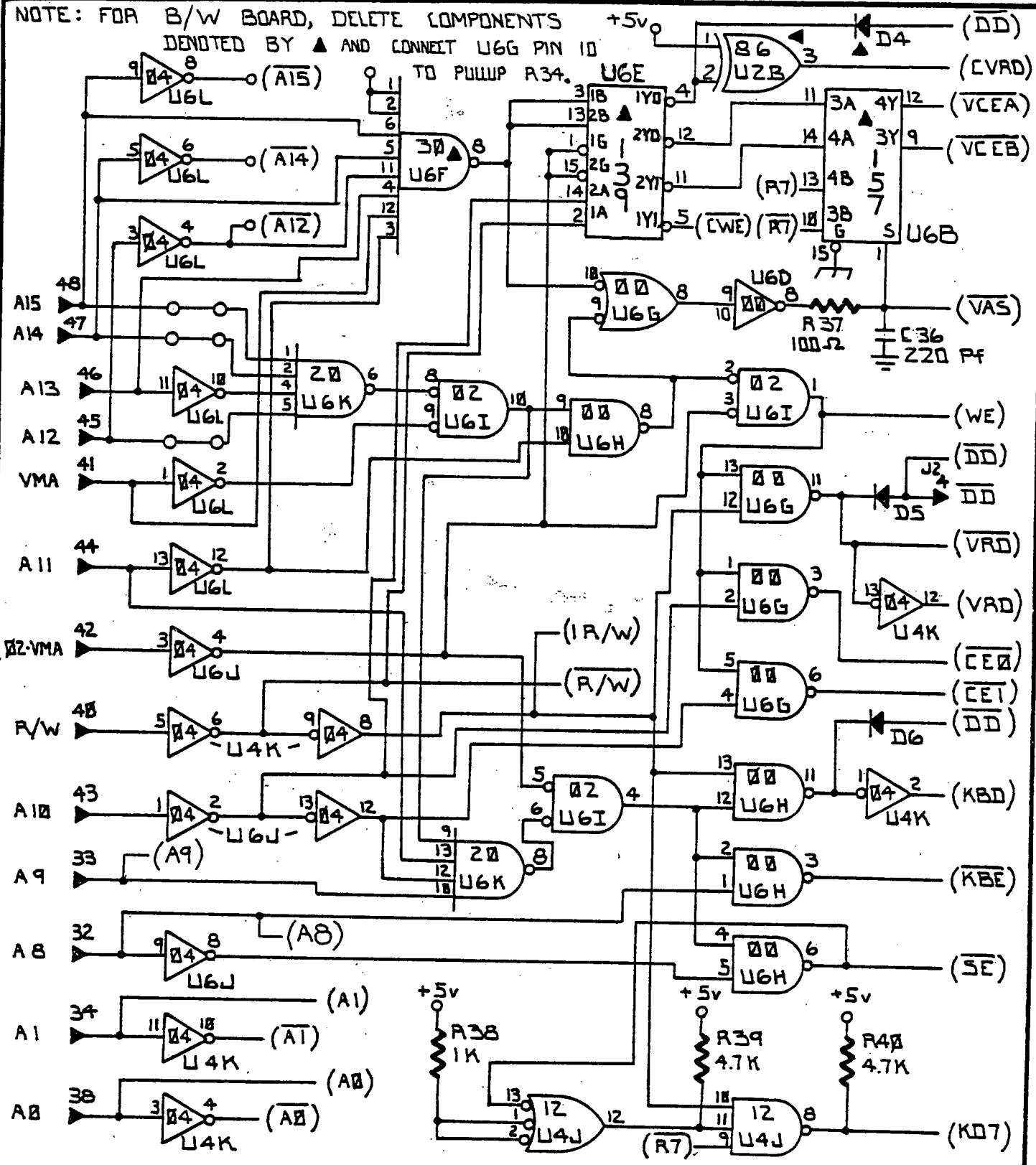


MODEL 540 REV B-1 SCHEMATICS

REV B-1	15 AUG 1979

NOTE: FOR B/W BOARD, DELETE COMPONENTS DENOTED BY ▲ AND CONNECT U6G PIN 10 TO PULLUP R34.



**OHIO SCIENTIFIC**

product name/number  
 MODEL 540 REV B-1  
 ADDRESS DECODER

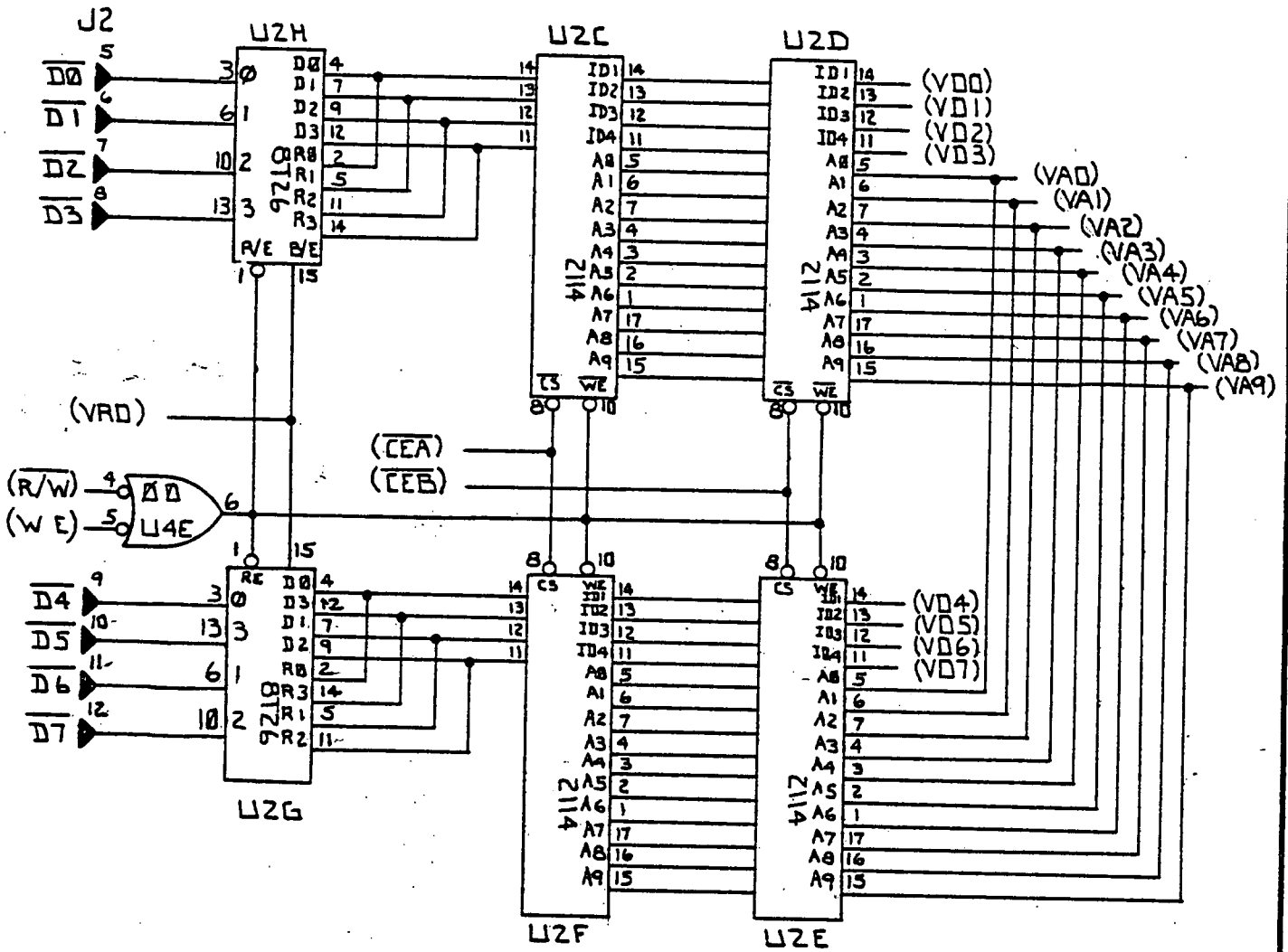
date 15 AUG 1979  
 DRAWN ~ J.L.K.

revision

page

status

sheet 1 of 8



**OHIO SCIENTIFIC**

product name/number

MODEL 540 REV B-1

BLACK + WHITE MEMORY

date 15 AUG 1979

revision

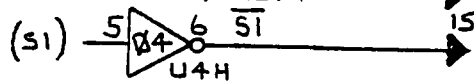
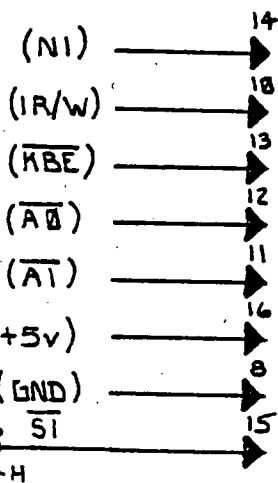
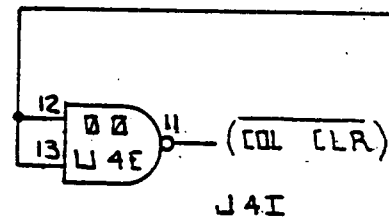
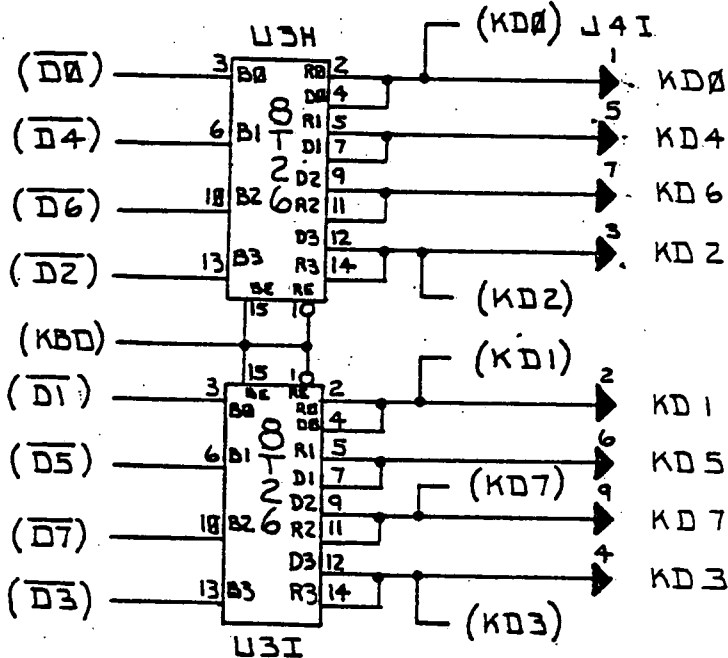
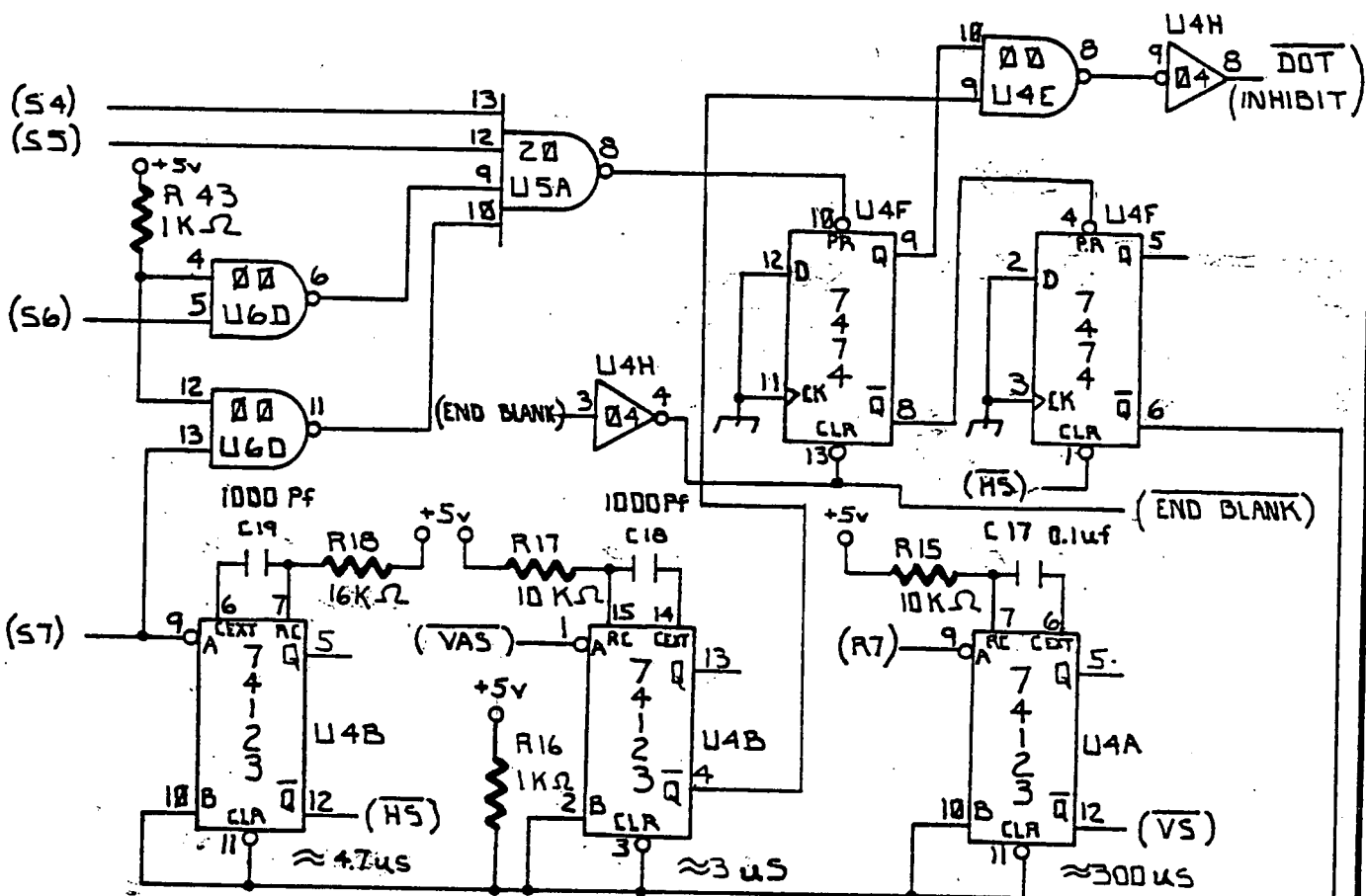
page

status

sheet 2 of 8

DRAWN ~ J.L.K.





**OHIO SCIENTIFIC**

product name/number

MODEL 540 REV B-1

DISPLAY TIMING + KEYBOARD BUFFER

date 15 AUG. 1979

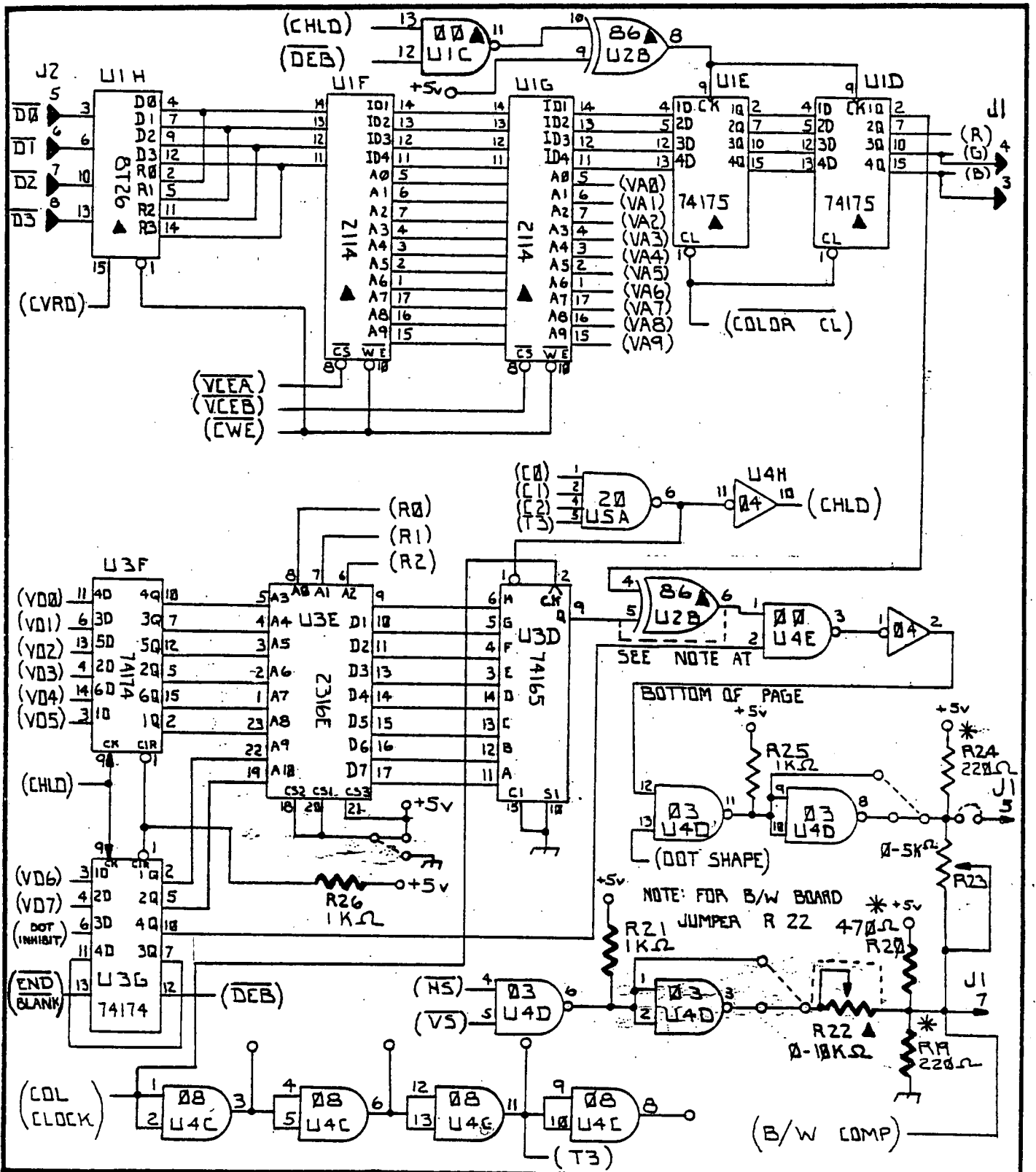
revision

page

status

sheet 4 of 8

DRAWN ~ J.L.K.



**OHIO SCIENTIFIC**

product name/number

MODEL 540 REV B-1

COLOR MEMORY + CHARACTER OUTPUT

date 15 AUG 1979

revision

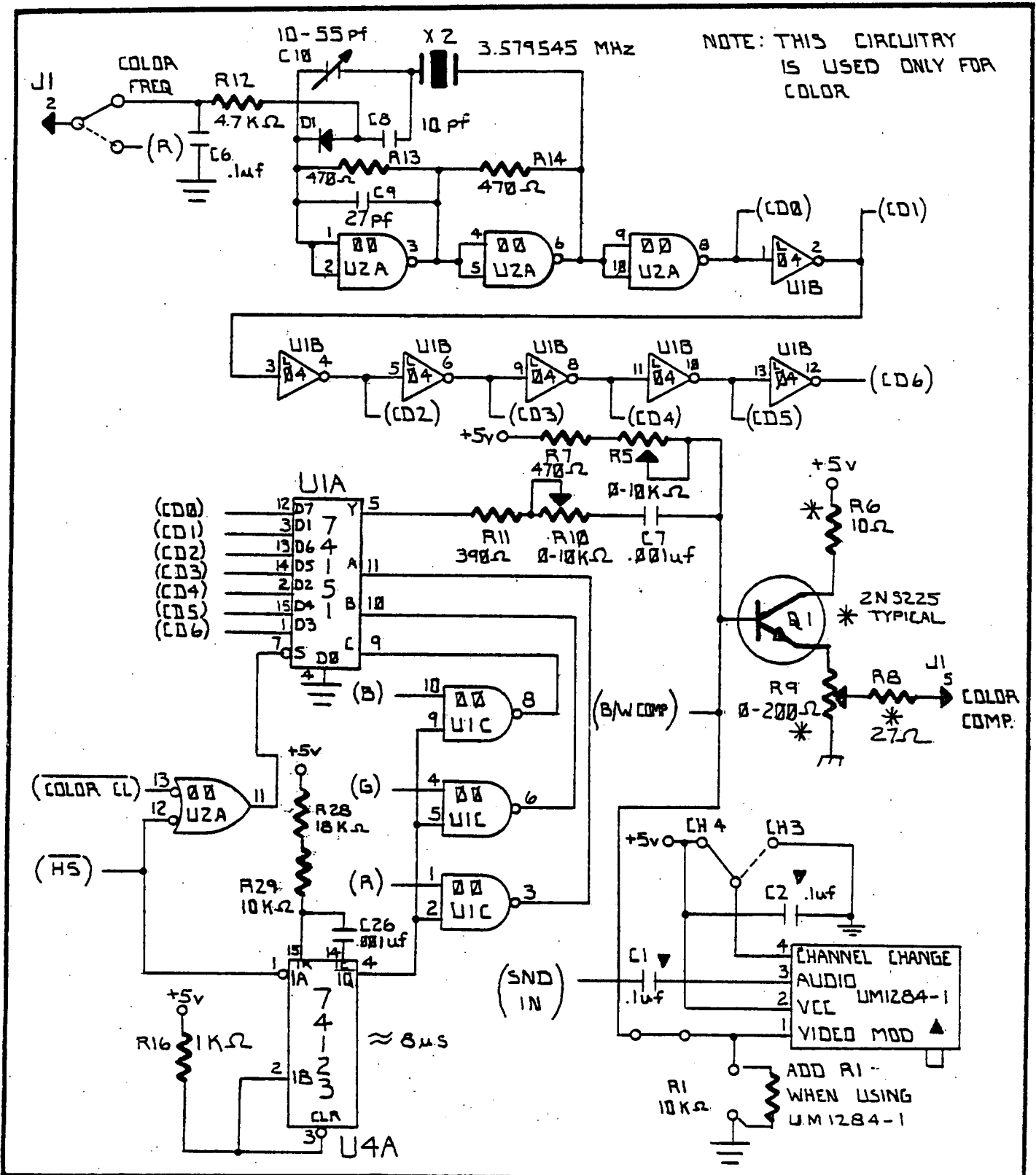
page

status

sheet 5 of 8

DRAWN ~ J.L.K.

NOTE: FOR B/W BOARD, DELETE COMPONENTS DENOTED WITH ▲ AND JUMPER U2B PIN 5 TO PIN 6 FOR COLOR BOARD, DELETE COMPONENTS DENOTED WITH \*.



**OHIO SCIENTIFIC**

product name/number

MODEL 540 REV B-1  
COLOR OUTPUT

date 15 AUG 1979

revision

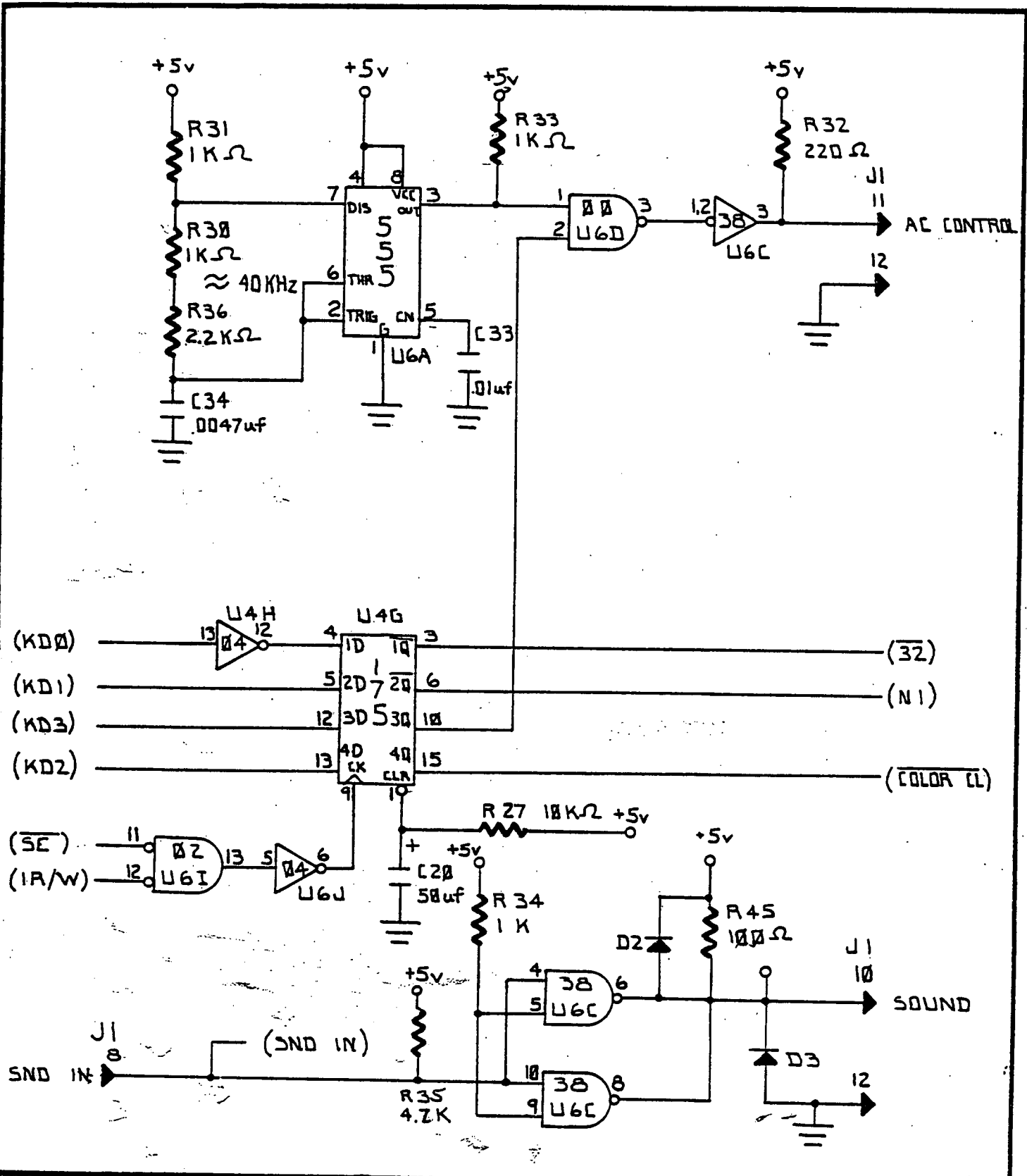
page

status

sheet 6 of 8

DRAWN ~ J.L.K.

NOTE: DELETE COMPONENTS DENOTED WITH ▲ WHEN USING UHF CONVERTER  
DELETE COMPONENTS DENOTED WITH \* WHEN USING VHF MODULATOR



**OHIO SCIENTIFIC**

product name/number

MODEL 540 REV B-1

A.C. CONTROL

date 15 AUG 1979

revision

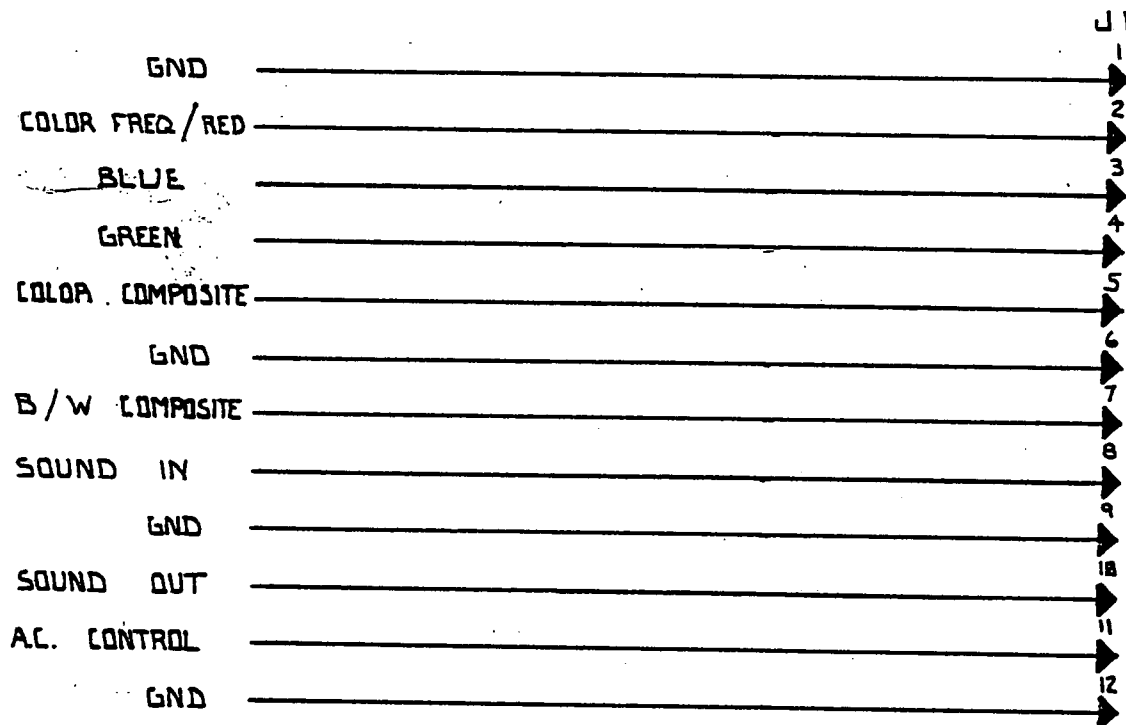
page

status

sheet 7 of 8

DRAWN ~ J.L.K.





NOTE: ALL DIODES ARE TYPICAL 1N914

**OHIO SCIENTIFIC**

product name/number

MODEL 540 REV B-1  
OUTPUT CONNECTOR

date 15-AUG-1979  
DRAWN ~ J.L.K.

revision

page

status

sheet 8 of 8